

NOTES:

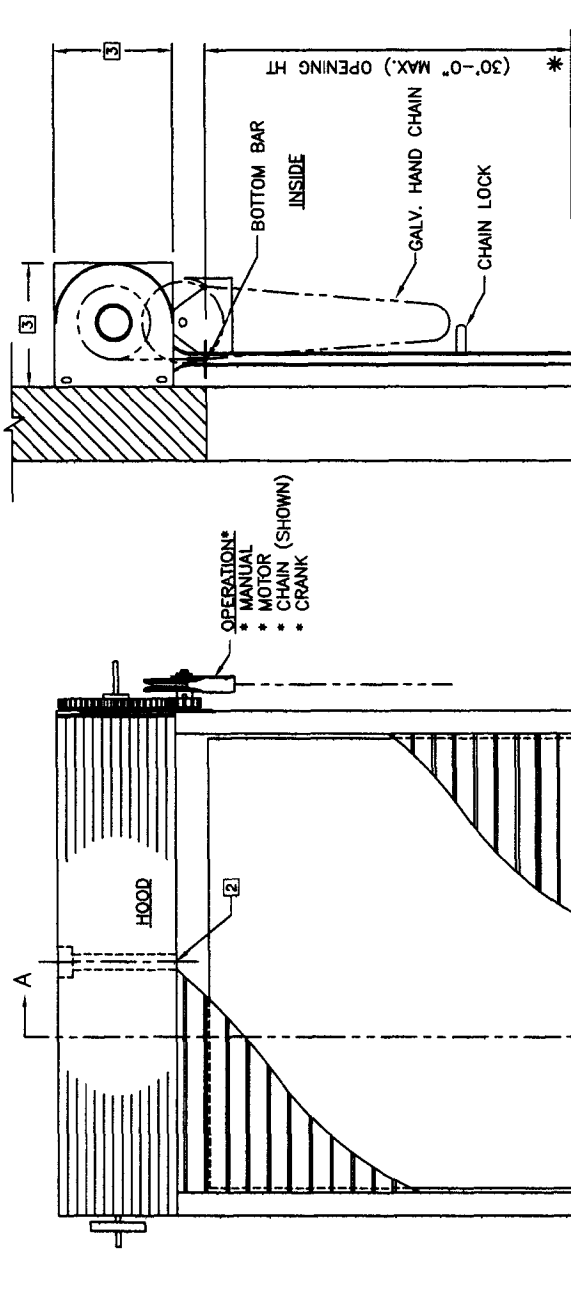
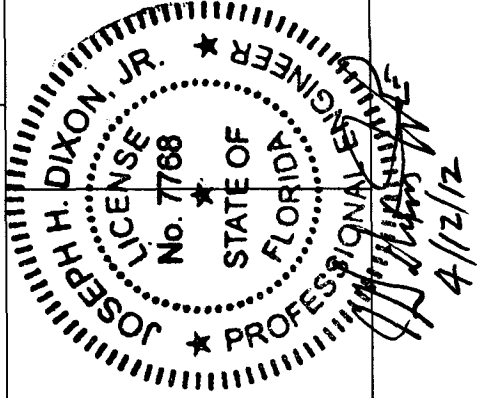
- 1 THESE DOORS HAVE BEEN EVALUATED TO COMPLY WITH THE FLORIDA BUILDING CODE.
- 2 INTERMEDIATE SUPPORT(S) IS FURNISHED FOR DOORS OVER 14' WIDE.
- 3 BRACKET SIZE VARIES BASED ON SLAT TYPE AND DOOR SIZE.
- 4 WINDLOCKS ARE ON ALTERNATE SLATS (EVERY OTHER SLAT).
- 5 DOORS USED IN THE HVHZ SHALL NOT HAVE WIDTHS IN EXCESS OF THE TEST DOOR WIDTH OF 16'-0" AND SHALL NOT EXCEED THE DESIGN PRESSURE OF +55.0/-60.0 PSF.

3	RG	4/9/12	FLA CODE COMPLIANCE
4	RG	4/30/07	2004 CODE COMPLIANCE
1	RG	12/20/06	2004 CODE COMPLIANCE
	RG	4/29/04	ORIGINAL DRAWING
NO.	BY	DATE	REVISION



COOKSON ROLLING DOORS
2417 S. 50TH AVE
PHOENIX, AZ 85043
800 TULIP DRIVE
GASTONIA, NC 28052

FLORIDA WIND DOORS, DESIGN TYPE B
ENG NAME: JOSEPH H. DIXON JR. COOKSON APPROVAL
DISCIPLINE: STRUCTURAL
FLA REGISTRATION: 7768
DATE:
DWG NO. WLCD-002-B-2004
1 OF 3



SECTION A-A

DOOR WIDTH UP 10'	DESIGN WIND PRESSURES IN PSF		
	#5	#4	#4.5
10'	+121.9/-131.9	+141.9/-151.9	+193.5/-203.5
11'	+103/-111.6	+115.4/-124.0	+152.5/-161.1
12'	+88.6/-96.2	+96.2/-103.8	+123.5/-131.2
13'	+77.4/-84.2	+81.8/-88.6	+102.5/-109.3
14'	+68.4/-74.5	+70.7/-76.8	+86.7/-92.8
14'-4"	+65.9/-71.7	+67.6/-73.5	+82.3/-88.2
15'	+61.1/-66.6	+62.0/-67.5	+74.5/-80.0
16'	+55/-60	+55/-60	+65.0/-70.0
17'	+49.9/-54.5	+49.3/-53.9	+57.4/-61.9
18'	+45.5/-49.7	+44.5/-48.7	+51.1/-55.3
19'	+41.8/-45.7	+40.4/-44.3	+45.9/-49.7
20'	+38.5/-42.1	+36.9/-40.5	+41.5/-45.1
21'	+35.7/-39.0	+33.9/-37.2	+37.8/-41.1
22'	+33.2/-36.3	+31.4/-34.5	+34.6/-37.7
23'	+31.0/-33.9	+29.1/-32.0	+31.9/-34.8
24'	+29.0/-31.7	+27.1/-29.8	+29.5/-32.2
25'		+25.3/-27.9	+27.4/-30.0
26'		+23.7/-26.2	+25.5/-28.0
27'			+23.9/-26.2
28'			+22.4/-24.6

FASTENER SCHEDULE

WINDLOCK SPACING	CONCRETE ANCHOR	MINIMUM HILTI KWIK BOLTS	WALL ANGLE BOLTS (GRADE 5)	GUIDE ANGLE ASSY BOLTS (GRADE 5)
2	3/4" Ø 12" O.C.	4-3/4"	5/8" Ø 18" O.C.	1/2" Ø 21" O.C.
NON-HVHZ	3/4" Ø 12" O.C.	4-3/4"	5/8" Ø 18" O.C.	1/2" Ø 21" O.C.

FLORIDA WIND DOORS, DESIGN TYPE B

NOTES:

- [6] SLAT MATL: GALVANIZED STEEL OR STAINLESS STEEL.
- [7] DECIMAL THICKNESS LISTED IS MINIMUM.
- [8] GUIDE/BOTTOM BAR MATL: STEEL OR STAINLESS STEEL.

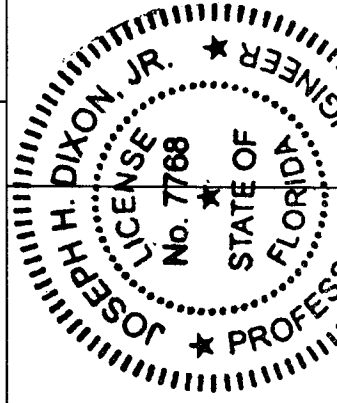
NO.	BY	DATE	REVISION
3	RG	4/9/12	FLA CODE COMPLIANCE
2	RG	4/30/07	2004 CODE COMPLIANCE
1	RG	12/20/06	2004 CODE COMPLIANCE
	RG	4/29/04	ORIGINAL DRAWING



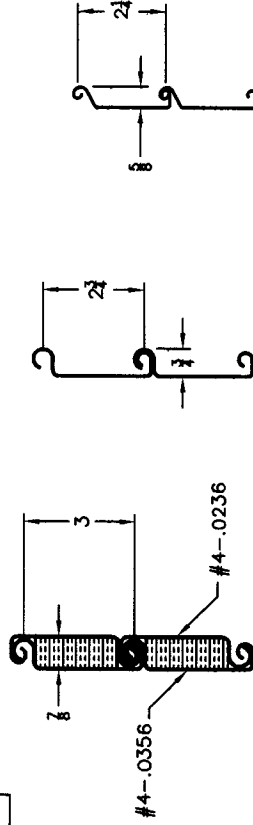
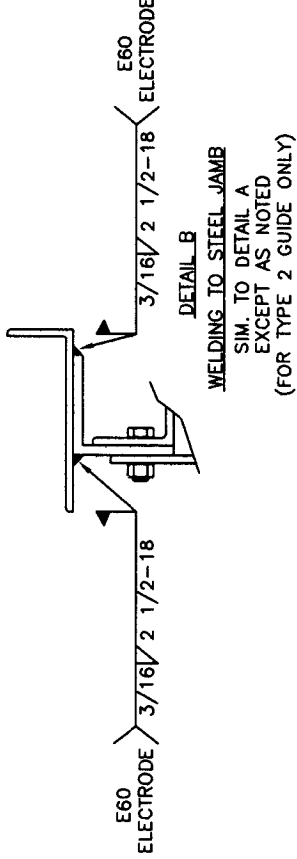
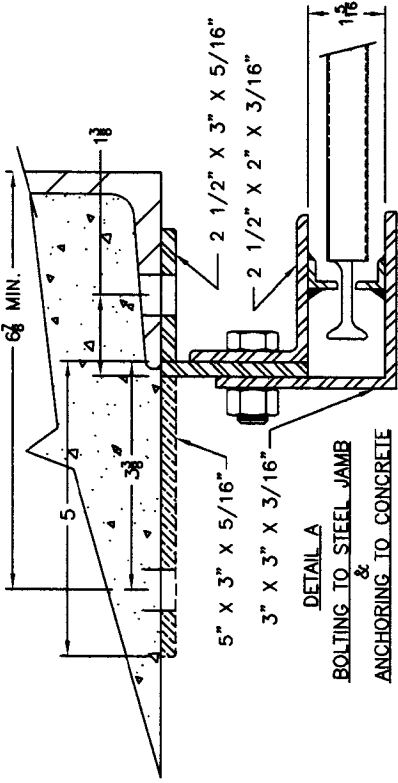
COOKSON ROLLING DOORS
2417 S. 50TH AVE
PHOENIX, AZ 85043
800 TULIP DRIVE
GASTONIA, NC 28052

FLORIDA WIND DOORS, DESIGN TYPE B
ENG NAME: JOSEPH H. DIXON JR, COOKSON APPROVAL
DISCIPLINE: STRUCTURAL BY:
FLA REGISTRATION: 7768 DATE:

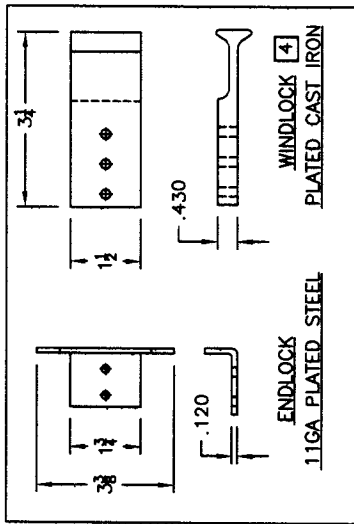
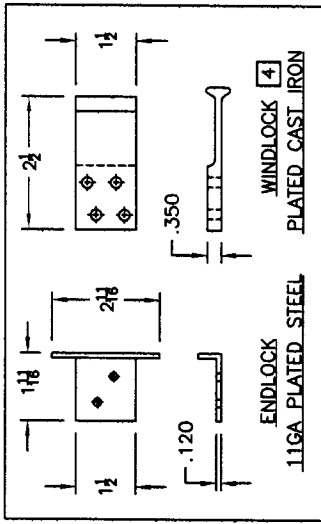
DWG NO. WLCD-002-B-2004 2 OF 3



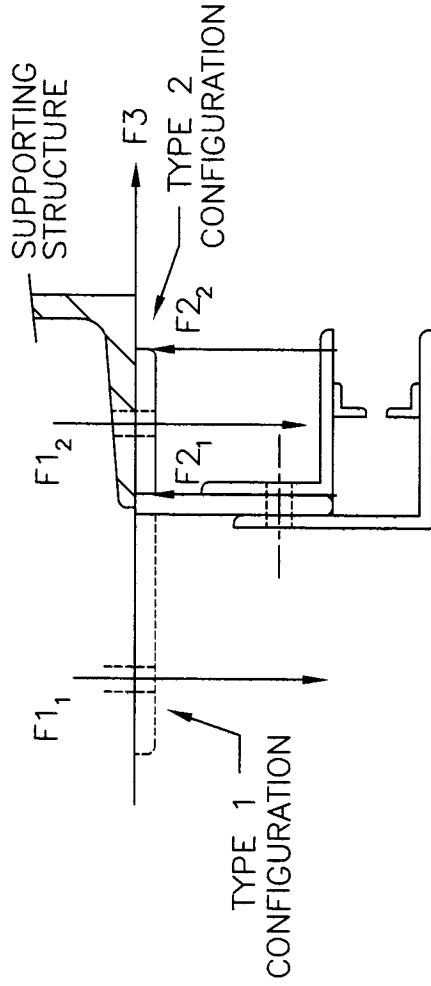
Handwritten signature and date:
4/12/12



SLAT: #45 - .0296 [6] [7]
SLAT: #4 - .0356 [6] [7]
SLAT: #45 - .0356 / .0236 [6] [7]



FLORIDA WIND DOORS, DESIGN TYPE B



GUIDE DETAIL

FORCE ON STRUCTURE (#/FT.)

SLAT	TYPE 1 GUIDE			TYPE 2 GUIDE								
	POSITIVE	NEGATIVE		POSITIVE	NEGATIVE							
#5	F1	F2	F3	F1	F2	F3						
#5	2046	1603	2085	2692	3175	2289	7218	6776	2085	6956	7439	2289
#4/45	1760	1318	1821	2441	3004	2025	6427	5919	1821	6100	6582	2025

FLORIDA WIND DOORS, DESIGN TYPE B

NO.	BY	DATE	REVISION
3	RG	4/9/12	FLA CODE COMPLIANCE
2	RG	4/30/07	2004 CODE COMPLIANCE
1	RG	12/20/06	2004 CODE COMPLIANCE
	RG	4/29/04	ORIGINAL DRAWING



COOKSON ROLLING DOORS
2417 S. 50TH AVE
PHOENIX, AZ 85043
800 TULIP DRIVE
GASTONIA, NC 28052

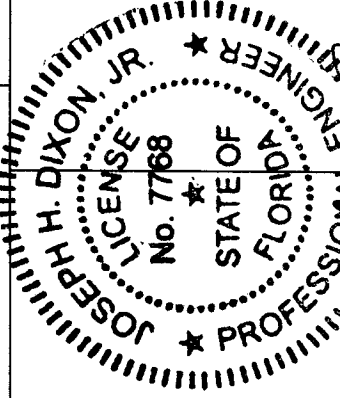
FLORIDA WIND DOORS, DESIGN TYPE B

ENG NAME: JOSEPH H. DIXON JR. COOKSON APPROVAL

DISCIPLINE: STRUCTURAL BY:

FLA REGISTRATION: 7768 DATE:

DWG NO. WLCD-002-B-2004 3 OF 3



Joseph H. Dixon, Jr.
4/12/12